

SolarTech Power Solutions

Tashkent photovoltaic energy storage distribution room



Overview

Where is PV plant located in Tashkent?

The PV plant site is located along the 4R-12 district highway, which links feeder roads within the districts of Yukorichirchik, Parkent and Kibray to the ring road along the outskirts of Tashkent City. The single carriageway is paved and in good condition.

Where is Bess project located in Tashkent?

The PV plant and the BESS facility are situated 3.5 km apart, within Yuqorichirchik District and Parkent District respectively. Both districts are located within Tashkent Region. The overall project location lies about 20 km from Tashkent City.

What is the capacity of solar plant in yuqorichirchik?

The solar (PV) plant sited within Yuqorichirchik District will operate at a capacity of 200 MW, with a total estimated lifetime yield of 11,861,233 MWh. The PV plant components involved in the generation of electricity from solar radiation are described as follows.

How many skink species were recorded in the solar power plant site?

The surveys were conducted on the 07/06/2023 and 26/08/2023 for the PV power plant site, and BESS and underground cable sites respectively. One skink species was recorded within the PV plant site, and one toad, one skink and one gecko species were identified within the BESS and underground cable sites.

What is the landscape around a PV power plant site?

The landscape surrounding the PV power plant site is characterized by a built-up environment including buildings, roads, and a patchwork of farmland.

What is the bedrock overburden of a PV power plant?

geotechnical investigation of the PV power plant site revealed that the bedrock overburden largely comprises quaternary alluvial deposits deriving from the Syrdarya complex, which can be classified as sandy soils.

Tashkent photovoltaic energy storage distribution room



Tashkent energy storage station fire intelligent auxiliary ...

The intelligent auxiliary control system scheme of Luoxun substation adopts independent controllable software and hardware equipment, and uses technologies such as multi-sensor ...

Tashkent Solar PV and BESS Project Republic of Uzbekistan

On 14 June 2023, the Presidential Resolution No. PQ-189 on Measures to Implement the Investment Project 'Construction of Solar Photovoltaic Power Plant and Electricity Storage ...



Tashkent to launch 100 MW energy storage project with China Energy

Jul 26, 2025 · As part of Uzbekistan's efforts to expand renewable energy and modernize its power infrastructure, three agreements have been signed in Tashkent between Wind and ...

Tashkent air-cooled energy storage advantages

Tashkent compressed air energy storage
Compressed air energy storage (CAES), with its high reliability, economic feasibility, and low environmental impact, is a promising method for large

...



tashkent energy storage low voltage grid connection

Power converters for battery energy storage systems The nominal voltage of the electrochemical cells is much lower than the connection voltage of the energy storage applications used in the

...

Tashkent box-type energy storage power station bidding

The agreement today for the Tashkent Riverside project reflects the strong trust placed in ACWA Power as the private sector partner, and one of the global leaders in Electricity price ...





Tashkent Solar PV and BESS , We invest in changing lives

Jun 25, 2024 · The provision of a long-term, senior A/B loan, including an A loan of up to USD 183.5 million, for the development, design, construction and operation of a 200MW solar ...

Tashkent new energy storage charging pile

Discover innovative battery storage solutions that enhance energy efficiency and support sustainable power initiatives. Explore how advanced storage technologies are revolutionizing ...

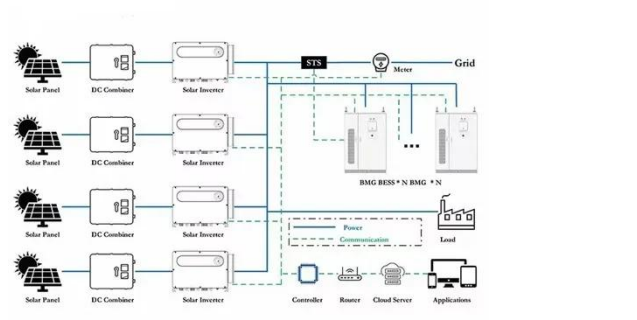


Uzbekistan's largest solar energy storage project sprints ...

Jun 6, 2025 · The Tashkent solar energy storage project in Uzbekistan, led by China Energy Engineering Corporation, has made significant progress - the structural topping out of the ...

New energy storage battery factory built in Tashkent

The greenfield development will stabilise the Uzbek grid, and will involve the construction of a 200 MW solar PV plant and a 500 MWh battery energy storage system - the largest of its kind in ...

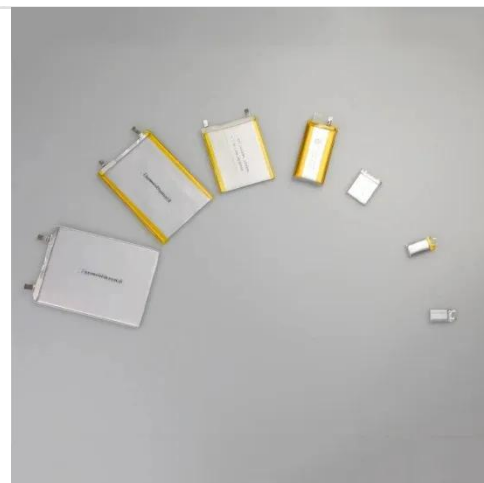


Tashkent Photovoltaic Energy Storage: Powering Uzbekistan...

Dec 22, 2023 · The answer lies in mismatched energy supply and demand - which is exactly where photovoltaic (PV) energy storage systems become game-changers. As Uzbekistan's ...

tashkent household photovoltaic energy storage

Integrated Optimal Control System for a Household Photovoltaic-Battery Energy Storage Due to substantial uncertainty and volatility, photovoltaic (PV) power generation is often paired with a ...



Uzbekistan signs green



energy deals, plans 100 MW storage ...

Jul 28, 2025 · Uzbekistan has taken another step toward enhancing its renewable energy infrastructure by signing a series of agreements to implement major green energy projects, ...

Tashkent energy storage mobile charging vehicle

An ultra-fast charging station for electric vehicles has been launched at the IT Park Uzbekistan area in Tashkent. The project was implemented by "O'ZIMPEKSALOQA" and ...



Tashkent Solar PV and BESS Project Republic of Uzbekistan

Apr 3, 2024 · 1.1 Background In furtherance of the master agreement, on 19 March 2023, the Joint-Stock Company (JSC) National Electric Grid of Uzbekistan (NEGU) entered into a Power ...

[Contact Us](#)

For catalog requests, pricing, or partnerships, please visit:
<https://posecard.eu>