

## SolarTech Power Solutions

# Solar light-sensing charging photovoltaic energy storage cabinet



## Solar light-sensing charging photovoltaic energy storage cabinet



### Working Principle and Advantages of Solar Battery Storage Cabinets

Jul 31, 2025 · As the name suggests, a ???????? is a device used to store the energy generated by solar panels. Typically, the solar battery storage cabinet consists of a battery ...

### Solar Lithium Energy Storage System Brochure

Oct 30, 2024 · When the time-of-use tariff is at its peak segment: The energy storage cabinet automatically discharges, realizing the arbitrage of price difference and improving the economic ...

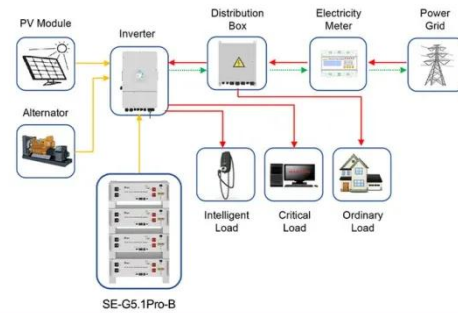



### EK Photovoltaic Micro Station Energy Cabinet

EK photovoltaic micro-station energy cabinet is a highly integrated outdoor energy storage device. Its core function is to convert renewable energy such as solar energy and wind energy into ...

## Integrated optical storage cabinet

Jun 8, 2023 · The optical storage integrated machine integrates photovoltaic controllers and bidirectional converters to achieve an integrated solution of "light+energy storage".



Application scenarios of energy storage battery products



## What is photovoltaic energy storage cabinet ...

Jul 27, 2024 · 1. A photovoltaic energy storage cabinet consists of solar panels, inverters, and battery storage units, ensuring efficient energy conversion and ...

## Research on Photovoltaic-Energy Storage-Charging Smart Charging ...

With its characteristics of distributed energy storage, the interaction technology between electric vehicles and the grid has become the focus of current research on the construction of smart ...



## EK Photovoltaic Micro

## Station Energy Cabinet



EK photovoltaic micro-station energy cabinet is an integrated intelligent energy storage device designed for distributed energy scenarios, providing 10-50kWh multiple capacity options ...

## 15kW / 35kWh Hybrid Solar System Integrated Energy

...

Jul 28, 2025 · The BSLBATT PowerNest LV35 hybrid solar energy system is a versatile solution tailored for diverse energy storage applications. Equipped with a robust 15kW hybrid inverter ...



## Optical Storage And Charging Integrated Microgrid Solution

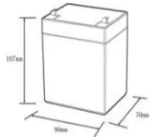

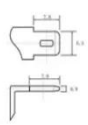
The core consists of three parts - photovoltaic power generation, energy storage batteries, and charging piles. These three parts form a microgrid, using photovoltaic power generation to ...

## Photovoltaic Energy

## Storage System Cabinet: Your Ultimate ...

Mar 31, 2020 · Enter the photovoltaic energy storage system cabinet - the unsung hero of solar power setups. This article is your backstage pass to understanding why these metal boxes are ...



12.BV6Ah

- Nominal voltage (V):12.8
- Nominal capacity (Ah):6
- Rated energy (WH):76.8
- Maximum charging voltage (V):14.6
- Maximum charging current (A):6
- Floating charge voltage (V):13.6~13.8
- Maximum continuous discharge current (A):10
- Maximum peak discharge current @10 seconds (A):20
- Maximum load power (W):100
- Discharge cut-off voltage (V):10.8
- Charging temperature (°C):0~+50
- Discharge temperature (°C):-20~+60
- Working humidity: <95% R.H (non condensing)
- Number of cycles (25 °C, 0.5C, 100%doD): >2000
- Cell combination mode: 32700-4s1p
- Terminal specification: T2 (6.3mm)
- Protection grade: IP65
- Overall dimension (mm):50\*70\*107mm
- Reference weight (kg):0.7
- Certification: un38.3/msds

## Outdoor Cabinet Energy Storage System

Oct 10, 2023 · Product Features: Standardized structure design, menu-type function configuration, photovoltaic charging module, a parallel off-grid switching module, power frequency ...

## ESS-GRID Cabinet Brochure EN-241028

Oct 28, 2024 · The ESS-GRID Cabinet series are outdoor battery cabinets for small-scale commercial and industrial energy storage, with four different capacity options based on different ...



## ESS-GRID Cabinet Brochure EN-250106

Mar 4, 2025 · The ESS-GRID Cabinet



series are outdoor battery cabinets for small-scale commercial and industrial energy storage, with four different capacity options based on different ...

---

## Contact Us

For catalog requests, pricing, or partnerships, please visit:  
<https://posecard.eu>