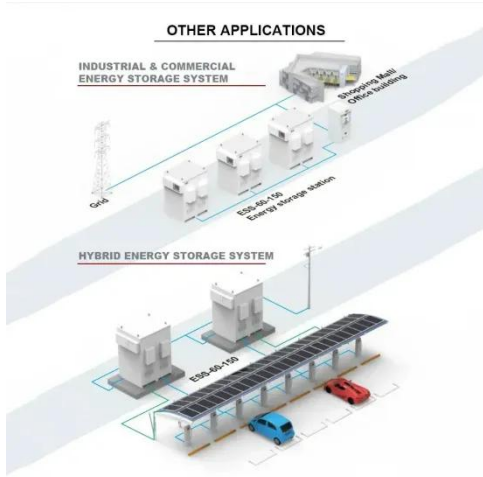


SolarTech Power Solutions

Micro circuit breaker factory in Vietnam



Micro circuit breaker factory in Vietnam



Vietnam Factory|MOCHIZUKI PRESS INDUSTRIAL CO.,LTD.

Jan 9, 2013 · Amid the growing markets in the ASEAN region for automobile parts, which are the core products of Mochizuki Press Industrial, and various types of precision equipment, we ...

China Micro Circuit Breaker, Micro Circuit Breaker Wholesale

The Micro Circuit Breaker is included in our comprehensive Circuit Breaker range. To locate a reliable supplier in China, utilize industry websites, attend trade exhibitions, and seek referrals ...

 **TAX FREE**    

ENERGY STORAGE SYSTEM

Product Model
HJ-ESS-215A(100KW/215KWh)
HJ-ESS-115A(50KW 115KWh)

Dimensions
1600*1280*2200mm
1600*1200*2000mm

Rated Battery Capacity
215KWH/115KWH

Battery Cooling Method
Air Cooled/Liquid Cooled



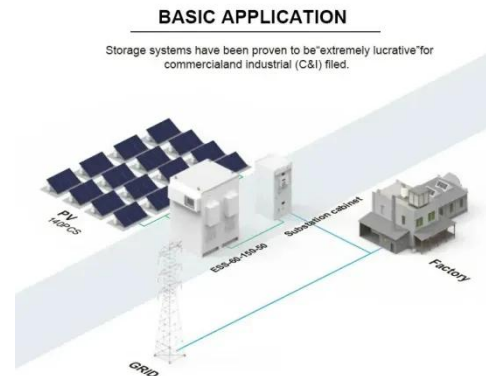


New Wiring Device and Circuit Breaker Factory Starts Full ...

OSAKA, Japan-- (BUSINESS WIRE)--On November 15, 2014, Panasonic Corporation announced that Panasonic Eco Solutions Vietnam Co., Ltd. (PESVN) celebrated the grand opening of its ...

Circuit Breakers in Vietnam, Circuit Breakers Suppliers in Vietnam

Aira Trex Solutions India Pvt Ltd is the best providers of Circuit Breakers in Vietnam. The items that you get from our company are tested before reaching your industrial locations. This ...



90 million USD semiconductor equipment factory starts ...

Dec 19, 2023 · On the morning of December 18, 2023, Micro Commercial Components Vietnam Co., Ltd. (MCC Vietnam) held the groundbreaking ceremony for the semiconductor equipment ...

Panasonic to Expand Wiring Devices and Circuit Breakers ...

An additional factory building will be constructed adjacent to the existing factory to enhance its responsiveness to the rapid increase in demand for wiring devices and circuit breakers in ...





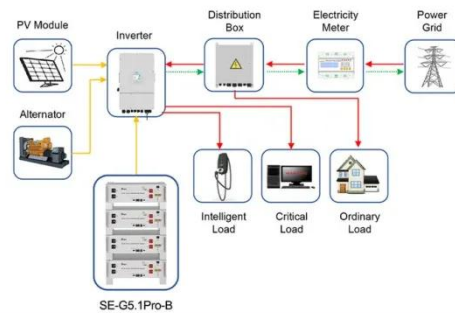
- TELECOM CABINET
- BRAND NEW ORIGINAL
- HIGH-EFFICIENCY

Circuit Breaker Manufacturers & Suppliers in Vietnam

Find and discover Circuit Breaker manufacturers and suppliers for all products in Vietnam, featuring details on their shipment activities, trade volumes, trading partners, and more. View ...

Panasonic : to Expand Wiring Devices and Circuit Breakers ...

Feb 27, 2017 · An additional factory building will be constructed adjacent to the existing factory to enhance its responsiveness to the rapid increase in demand for wiring devices and circuit ...



Application scenarios of energy storage battery products



Circuit Breakers

Circuit Breakers Vietnam, Thiết bị tu động hóa công nghiệp, Thiết bị tu động hóa, tu động hóa, tu động hóa công nghiệp, thiết bị công nghiệp, nhà phân phối ...

Molded Case Circuit Breaker , Schneider

Electric Vietnam

Molded Case Circuit Breaker ComPact molded case circuit breakers (MCCBs) protect cables sized for 100A to 3200 A. Their highest breaking capacities allow them to protect also smaller ...



Circuit Breakers in Vietnam, Circuit Breakers Suppliers in Vietnam

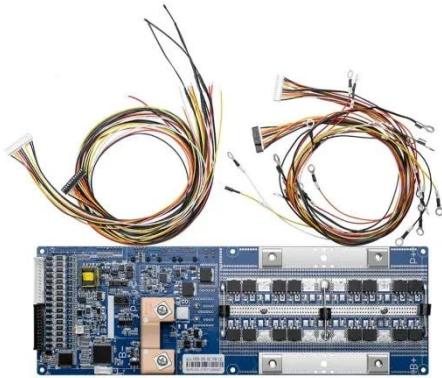
We are the most advanced Circuit Breakers Suppliers from Vietnam. As each Product is tested there is no chance of getting faulty or damaged industrial items and hence we focus on ...

Mitsubishi Electric Factory Automation Vietnam ...

Oct 15, 2024 · Miniature Circuit Breaker "MCB" is a compact electromechanical device up to 63A to protect overload and short-circuit conditions. Mainly they ...



micro breakers, micro breakers Suppliers and Manufacturers ...



QJCExplosion 17 Years Factory Factory Wholesale Price 63A 2P MCB Micro DC Circuit Breaker \$ 1.97 - 2.50 Min. Order: 6 pieces 6 yrsCN Supplier 4.9/5.0·26 reviews·"Good service"

List of Circuit Breaker companies in Vietnam

We are manufacturing household plastic products, and electrical switch, electrical circuit breaker, electrical plug and outlet.
Telephone: 84 - 8 - 9670101
Address: 115C1 Van Than, Ward 8, ...

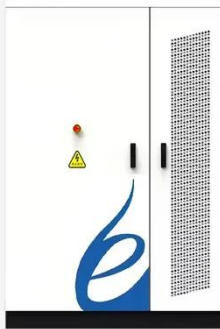


Mitsubishi Electric expands circuit breaker production in Vietnam

May 24, 2024 · Fuji Bakelite Vietnam, which has been in operation since 2014, manufactures small low-voltage circuit breakers for Mitsubishi Electric's Fukuyama Works in Hiroshima ...

Miniature Circuit Breakers Miniature Circuit Suppliers from Vietnam ...

Oct 1, 2024 · Find Economical Suppliers of Miniature Circuit Breakers Miniature Circuit: 74 Manufacturers in Vietnam based on Export data till Oct-24: Pricing, Qty, Buyers & Contacts.



OEM Micro Circuit Breaker Manufacturer and Exporter, Factory ...

May 13, 2025 · Micro Circuit Breaker Manufacturers, Factory, Suppliers From China, We welcome new and old customers from all walks of life to contact us for future business relationships and ...

Short Circuit Protection Micro Circuit Breaker With Multi ...

NBSe NBSX1 Series Micro Circuit Breaker, 2 pole circuit breaker 1.
Application The miniature circuit breaker mcb is mainly used in AC50/60Hz single pole 220V or two, three, four pole 400V ...



Contact Us

For catalog requests, pricing, or partnerships, please visit:
<https://posecard.eu>